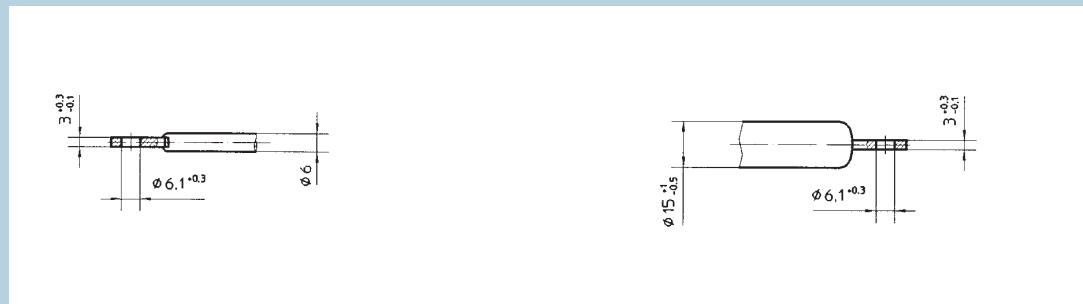
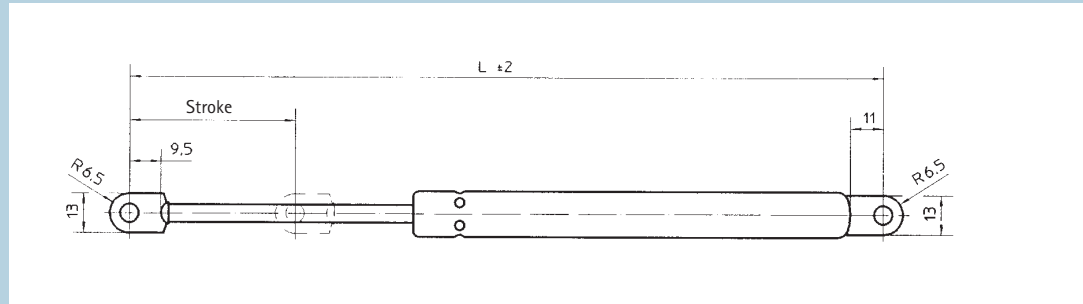


16-1 Clevis/Clevis, welded

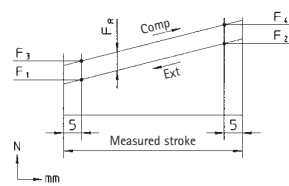


Color: black

$L \pm 2$	Stroke	Technical Data	Stock Nr.	Extension Force F_1
106 mm	20 mm	16-1-57-26-A17-B17	016 25007	F_1 min. 50 N F_1 max. 400 N Graduation in 50 N steps Please specify F_1 when ordering (see order example)
146 mm	40 mm	16-1-78-45-A17-B17	016 25008	
186 mm	60 mm	16-1-96-67-A17-B17	016 25009	
224 mm	80 mm	16-1-111-90-A17-B17	016 25010	
264 mm	100 mm	16-1-131-110-A17-B17	016 25011	
305,5 mm	120 mm	16-1-157,5-125-A17-B17	016 25012	
366 mm	150 mm	16-1-189-154-A17-B17	016 25013	

Order example: 016 25009/250 N

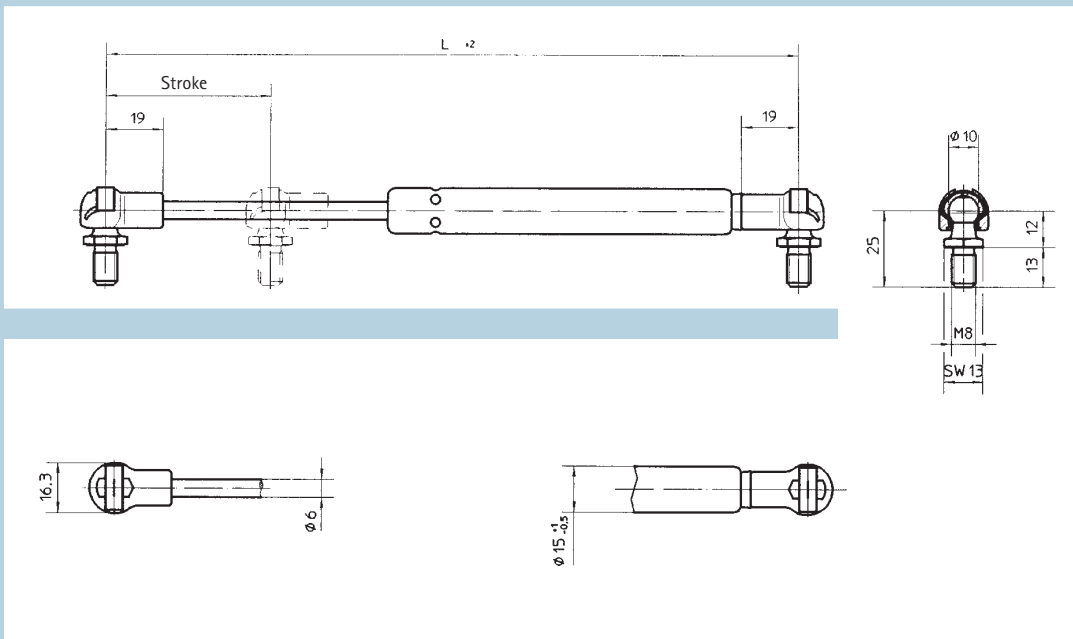
According to your requirements, we are able to produce a large variety of additional models.



$F_{R \max.} = 50 \text{ N}$

2002/We reserve the right to make modifications.

16-1 Ball joint/Ball joint



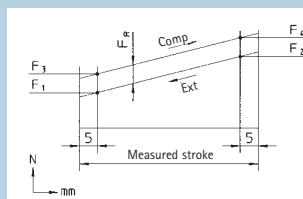
Color: black

$L \pm 2$	Stroke	Technical Data	Stock Nr.	Extension Force F_1
115,5 mm	20 mm	16-1-53,5-24-A246-B246	016 25000	F_1 min. 50 N F_1 max. 400 N Graduation in 50 N steps Please specify F_1 when ordering (see order example)
155,5 mm	40 mm	16-1-72,5-45-A246-B246	016 25001	
194,5 mm	60 mm	16-1-91-65,5-A246-B246	016 25002	
235 mm	80 mm	16-1-113-84-A246-B246	016 25003	
273 mm	100 mm	16-1-131-104-A246-B246	016 25004	
316 mm	120 mm	16-1-154-124-A246-B246	016 25005	
375,5 mm	150 mm	16-1-183,5-154-A246-B246	016 25006	

Order example: 016 25003/250 N

According to your requirements we are able to produce a large variety of additional models.

Other connections can be selected. Please refer to pages 18-19 for technical data.



$F_{R \max.} = 50 \text{ N}$

2002/We reserve the right to make modifications.