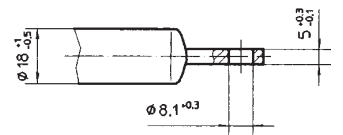
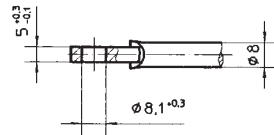
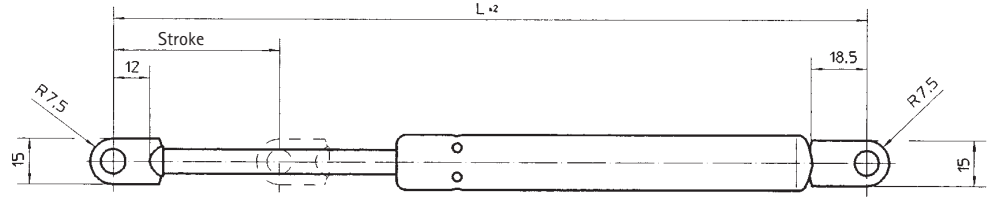


# 16-2 Clevis/Clevis, welded

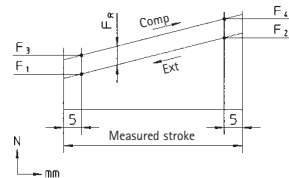


Color: black

	L±2	Stroke	Technical Data	Stock Nr.	Extension Force $F_1$
□	206,5 mm	60 mm	16-2-108-65-A107-B23	016 25024	$F_1$ min. 80 N $F_1$ max. 750 N Graduation in 50 N steps Please specify $F_1$ when ordering (see order example)
□	246,5 mm	80 mm	16-2-128-85-A107-B23	016 25025	
□	286,5 mm	100 mm	16-2-143-110-A107-B23	016 25026	
□	326,5 mm	120 mm	16-2-168-125-A107-B23	016 25027	
□	364,5 mm	140 mm	16-2-186-145-A107-B23	016 25028	
□	407,5 mm	160 mm	16-2-201-173-A107-B23	016 25029	
□	444 mm	178 mm	16-2-229,5-181-A107-B23	016 25030	
□	485,5 mm	200 mm	16-2-240-212-A107-B23	016 25031	
□	525,5 mm	220 mm	16-2-267-225-A107-B23	016 25032	
□	586,5 mm	250 mm	16-2-291-262-A107-B23	016 25033	

**Order example: 016 250029/250 N**

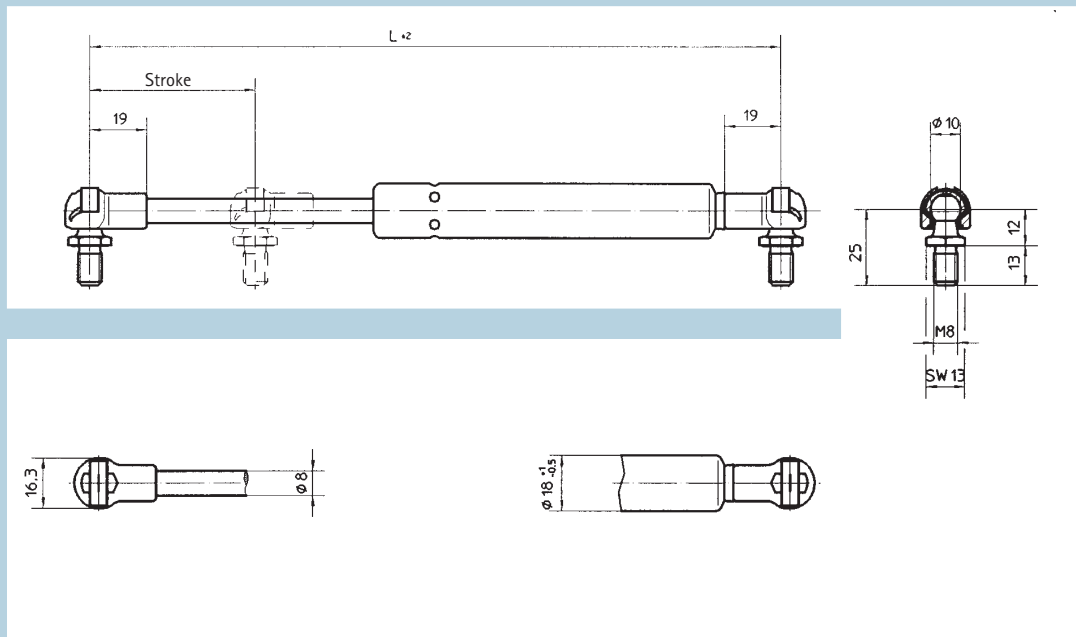
According to your requirements, we are able to produce a large variety of additional models.



$F_{R \max.} = 60 \text{ N}$

2002/We reserve the right to make modifications.

# 16-2 Ball joint/Ball joint

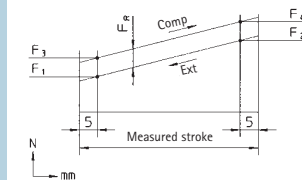


Color: black

$L \pm 2$	Stroke	Technical Data	Stock Nr.	Extension Force $F_1$
206 mm	57 mm	16-2-109-59-A246-B246	016 25014	$F_1$ min. 80 N $F_1$ max. 750 N Graduation in 50 N steps Please specify $F_1$ when ordering (see order example)
244 mm	80 mm	16-2-121-85-A246-B246	016 25015	
286 mm	100 mm	16-2-138-110-A246-B246	016 25016	
326 mm	120 mm	16-2-163-125-A246-B246	016 25017	
366 mm	140 mm	16-2-178-150-A246-B246	016 25018	
405 mm	160 mm	16-2-203-164-A246-B246	016 25019	
446 mm	180 mm	16-2-223-185-A246-B246	016 25020	
485,5 mm	200 mm	16-2-240-207,5-A246-B246	016 25021	
527 mm	220 mm	16-2-264-225-A246-B246	016 25022	
585,5 mm	250 mm	16-2-294-253,5-A246-B246	016 25023	
Order example: 016 25019/250 N				

According to your requirements, we are able to produce a large variety of additional models.

Other connections can be selected. Please refer to pages 18-19 for technical data.



$F_{R \max.} = 60 \text{ N}$

2002/We reserve the right to make modifications.