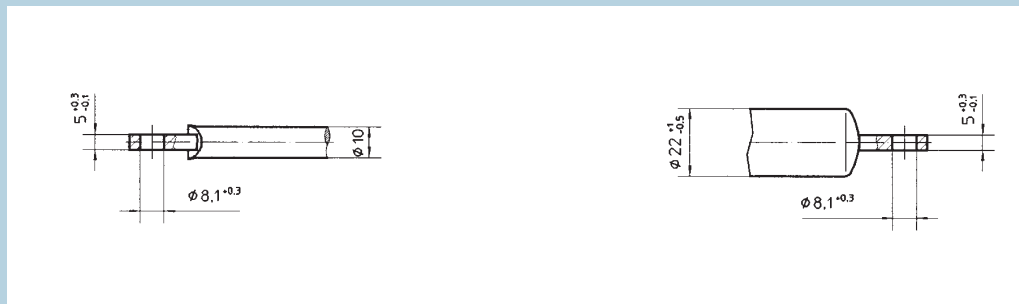
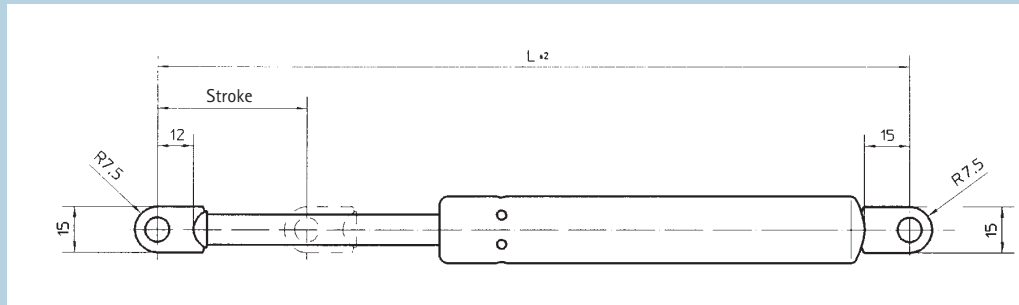


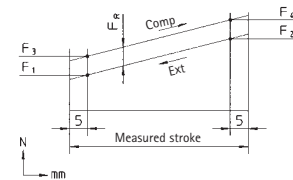
16-4 Clevis/Clevis, welded



Color: black

	L ± 2	Stroke	Technical Data	Stock Nr.	Extension Force F ₁
□	283 mm	95 mm	16-4-153-100-A23-B23	016 25043	F ₁ min. 100 N F ₁ max. 1200 N Graduation in 50 N steps Please specify F ₁ when ordering (see order example)
□	383 mm	145 mm	16-4-203-150-A23-B23	016 25044	
□	483 mm	195 mm	16-4-253-200-A23-B23	016 25045	
□	586 mm	245 mm	16-4-294-262-A23-B23	016 25046	
□	683 mm	295 mm	16-4-353-300-A23-B23	016 25047	
□	783 mm	345 mm	16-4-403-350-A23-B23	016 25048	
□	883 mm	395 mm	16-4-453-400-A23-B23	016 25049	
Order example: 016 25049/250 N					

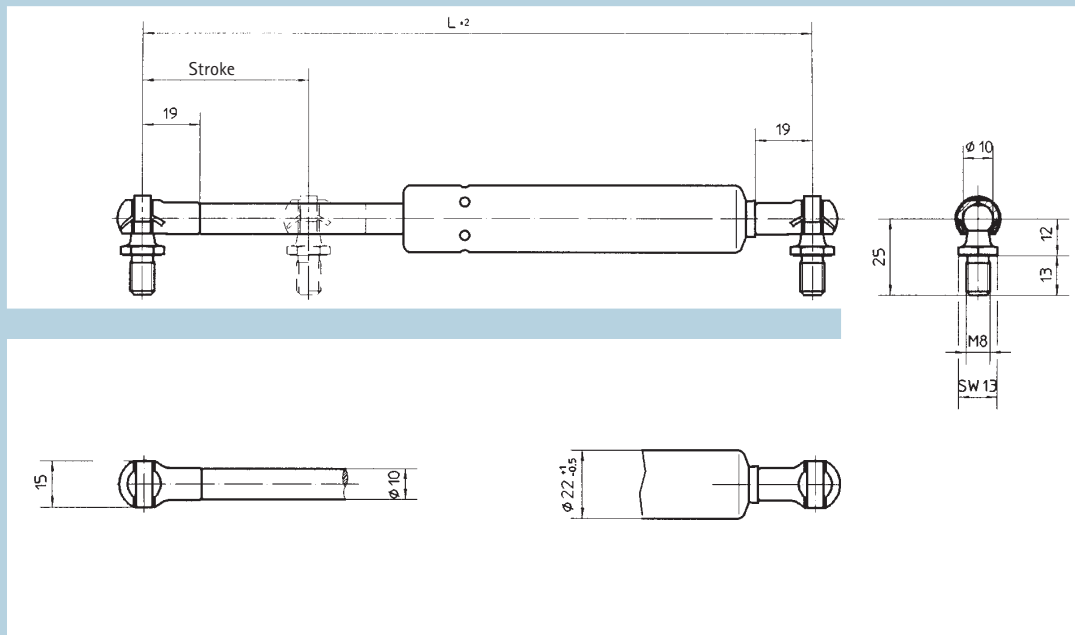
According to your requirements, we are able to produce a large variety of additional models.



F_{R max.} = 60 N

2002/We reserve the right to make modifications.

16-4 Ball joint/Ball joint

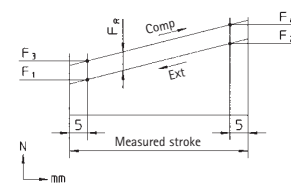


Color: black

$L \pm 2$	Stroke $^{+0}_{-2}$	Technical Data	Stock Nr.	Extension Force F_1
286 mm	100 mm	16-4-148-100-A207-B207	016 25034	F_1 min. 100 N F_1 max. 1200 N Graduation in 50 N steps Please specify F_1 when ordering (see order example)
386 mm	150 mm	16-4-198-150-A207-B207	016 25035	
486 mm	200 mm	16-4-248-200-A207-B207	016 25036	
586 mm	250 mm	16-4-298-250-A207-B207	016 25037	
686 mm	300 mm	16-4-348-300-A207-B207	016 25038	
786 mm	350 mm	16-4-398-350-A207-B207	016 25039	
886 mm	400 mm	16-4-448-400-A207-B207	016 25040	
Order example: 016 25039/250 N				

According to your requirements, we are able to produce a large variety of additional models.

Other connections can be selected. Please refer to page 20 for technical data.



$$F_{R \max.} = 60 \text{ N}$$

2002/We reserve the right to make modifications.