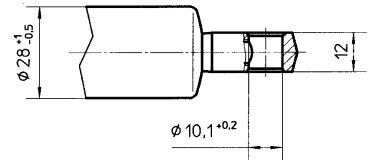
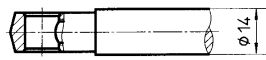
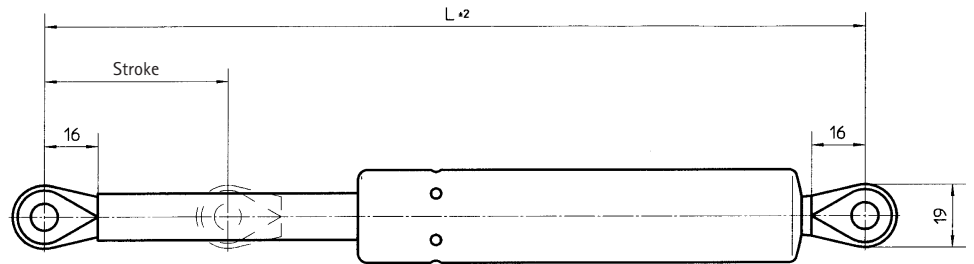


16-6 Clevis/Clevis, threaded

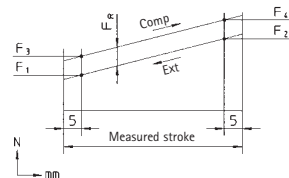


Color: black

$L \pm 2$	Stroke $^{+0}_{-2}$	Technical Data	Stock Nr.	Extension Force F_1
300 mm	100 mm	16-6-168-100-A31-B31	016 25061	F_1 min. 200 N F_1 max. 2000 N Graduation in 50 N steps Please specify F_1 when ordering (see order example)
400 mm	150 mm	16-6-218-150-A31-B31	016 25062	
500 mm	200 mm	16-6-268-200-A31-B31	016 25063	
600 mm	250 mm	16-6-318-250-A31-B31	016 25064	
700 mm	300 mm	16-6-368-300-A31-B31	016 25065	
800 mm	350 mm	16-6-418-350-A31-B31	016 25066	
906 mm	400 mm	16-6-474-400-A31-B31	016 25067	
1102 mm	500 mm	16-6-565-505-A31-B31	016 25069	

Order example: 016 25069/250 N

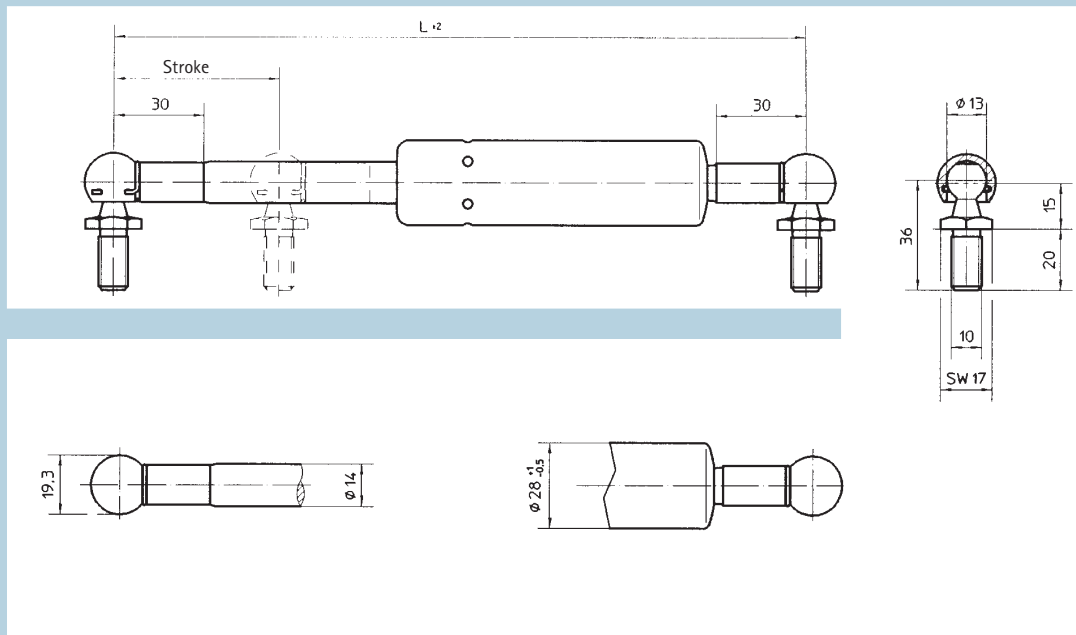
According to your requirements, we are able to produce a large variety of additional models.



$F_{R \text{ max.}} = 80 \text{ N}$

2002/We reserve the right to make modifications.

16-6 Ball joint/Ball joint



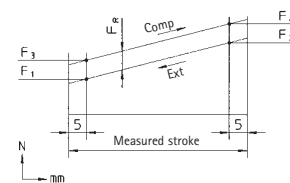
Color: black

$L \pm 2$	Stroke $^{+9}_{-2}$	Technical Data	Stock Nr.	Extension Force F_1
328 mm	100 mm	16-6-168-100-A199-B199	016 25052	F_1 min. 200 N F_1 max. 2000 N Graduation in 50 N steps Please specify F_1 when ordering (see order example)
428 mm	150 mm	16-6-218-150-A199-B199	016 25053	
528 mm	200 mm	16-6-268-200-A199-B199	016 25054	
628 mm	250 mm	16-6-318-250-A199-B199	016 25055	
728 mm	300 mm	16-6-368-300-A199-B199	016 25056	
828 mm	350 mm	16-6-418-350-A199-B199	016 25057	
934 mm	400 mm	16-6-474-400-A199-B199	016 25058	
1130 mm	500 mm	16-6-565-505-A199-B199	016 25060	

Order example: 016 25059/250 N

According to your requirements, we are able to produce a large variety of additional models.

Other connections can be selected. Please refer to page 20 for technical data.



$F_{R \max.} = 80 \text{ N}$

2002/We reserve the right to make modifications.