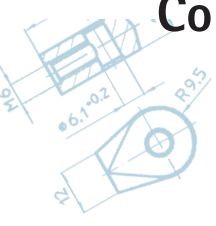
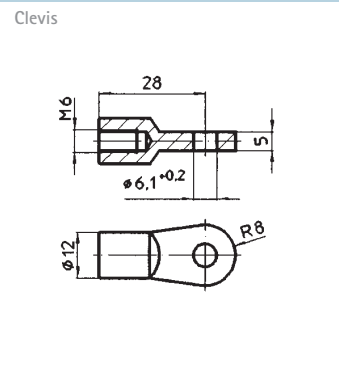


# Connections 16-1/16-2

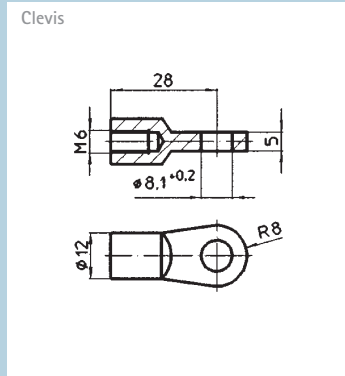


**A1-B1**  $L_{ext} = +18 \text{ mm}$



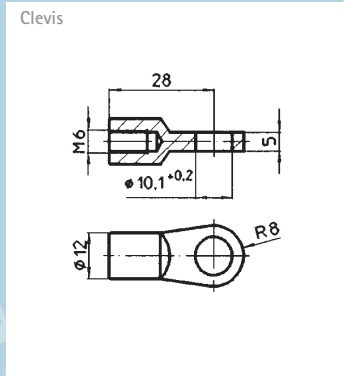
Clevis, zinc 06500094

**A2-B2**  $L_{ext} = +18 \text{ mm}$



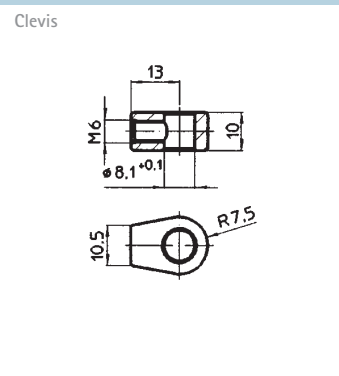
Clevis, zinc 06500070

**A132-B132**  $L_{ext} = +18 \text{ mm}$



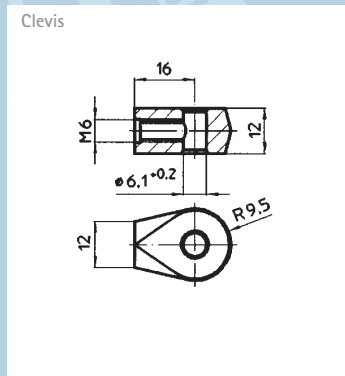
Clevis, zinc 06500076

**A10-B10**  $L_{ext} = -12 \text{ mm}$



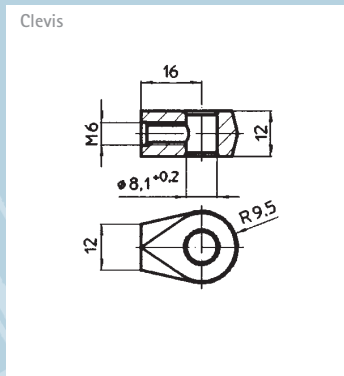
Clevis, zinc 06500164

**A220-B220**  $L_{ext} = -6 \text{ mm}$



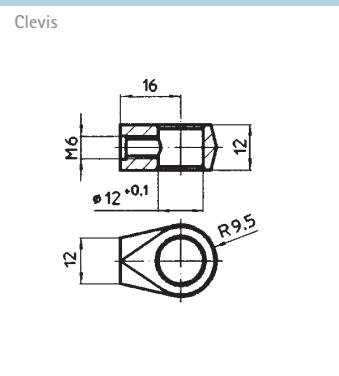
Clevis, zinc 06510005

**A221-B221**  $L_{ext} = -6 \text{ mm}$



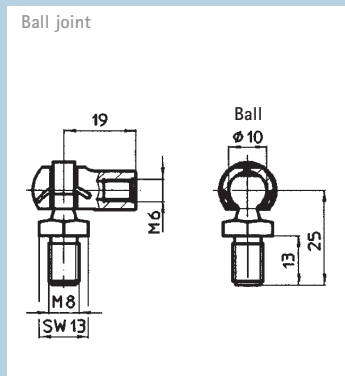
Clevis, zinc 06510006

**A104-B104**  $L_{ext} = -6 \text{ mm}$



Clevis, zinc 06500078

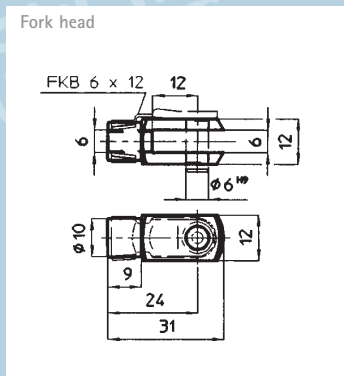
**A201-B201**  $L_{ext} = +/- 0 \text{ mm}$



Ball socket, steel/black 16800052

Ball socket, steel/black 0670047

**A232-B232**  $L_{ext} = +12 \text{ mm}$



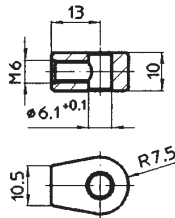
G 6 x 12 DIN 71752 with safety device

06810029

Special connections for the Series 16-1 and 16-2

A223-B223  $L_{ext} = -12 \text{ mm}$

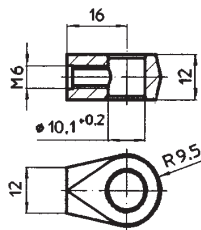
Clevis



Clevis, zinc 06510008

A222-B222  $L_{ext} = -6 \text{ mm}$

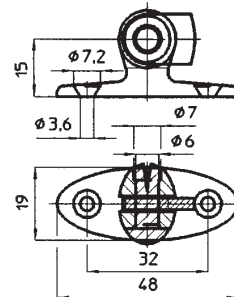
Clevis



Clevis, zinc 06510007

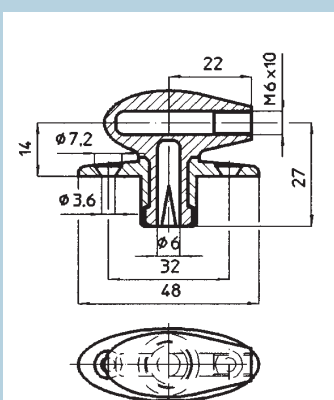
C6\*  $L_{ext} = +/- 0 \text{ mm}$

for connection A17-B17



Fork fixture, PA6 black 06210008 C6\*  
Bolt, PA6 black 06210009 C6\*

C1\*  $L_{ext} = +6 \text{ mm}$



Clip head, PA6 black 06210006 C1\*  
Clip head fixture, PA6 black 06210007 C1\*

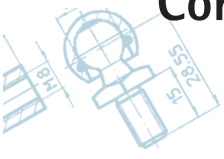
\* Only for Series 16-1

Legend

CONNECTION A: Tube side

CONNECTION B: Piston rod side

# Connections 16-4/16-6



<p>A13-B13 <math>L_{ext} = +18 \text{ mm}</math></p>	<p>A21-B21 <math>L_{ext} = +26 \text{ mm}</math></p>	<p>A12-B12 <math>L_{ext} = +18 \text{ mm}</math></p>
<p>Clevis</p>	<p>Fork head</p>	<p>Clevis</p>
<p>Clevis, zinc/yellow 06500071</p>	<p>Fork head, steel/galvanized 06800124</p>	<p>Clevis, plastic/black 06200095</p>
<p>A20-B20 <math>L_{ext} = +6 \text{ mm}</math></p>	<p>A30-B30 <math>L_{ext} = -6 \text{ mm}</math></p>	<p>A26-B26 <math>L_{ext} = -6 \text{ mm}</math></p>
<p>Clevis</p>	<p>Clevis</p>	<p>Clevis</p>
<p>Clevis, zinc 06500191</p>	<p>Clevis, zinc 06500155</p>	<p>Clevis, zinc 06500029</p>
<p>A73-B73 <math>L_{ext} = +12 \text{ mm}</math></p>	<p>A207-B207 <math>L_{ext} = +/- 0 \text{ mm}</math></p>	<p>A129-B129 <math>L_{ext} = +22 \text{ mm}</math></p>
<p>Ball socket</p>	<p>Ball joint</p>	<p>Ball joint</p>
<p>Ball socket, steel/black 06800068</p>	<p>Ball socket, steel/blackz 16800055</p>	<p>Ball socket, steel/galvanized 09700087</p>
	<p>Ball socket, steel/black 06700047</p>	<p>Ball pivot, steel/black 06700116</p>
		<p>Securing ring, niro 06800019</p>