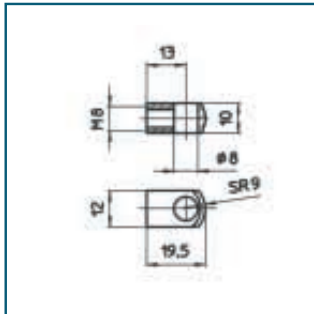
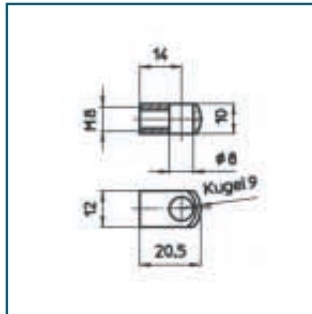


Connections

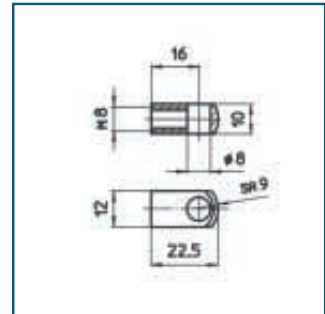
Joint eyes of steel for highest demands regarding strength and dimensional accuracy



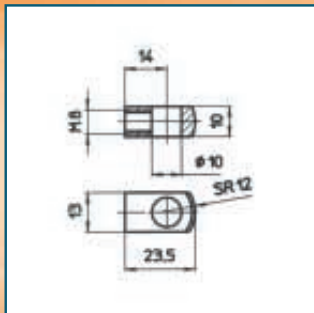
067 00297 Steel



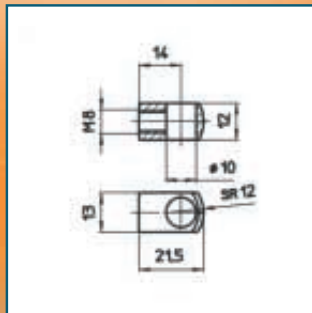
067 00338 Steel



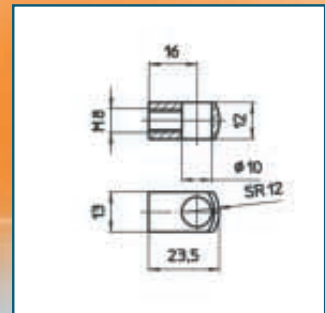
067 00344 Steel



067 50019 Steel

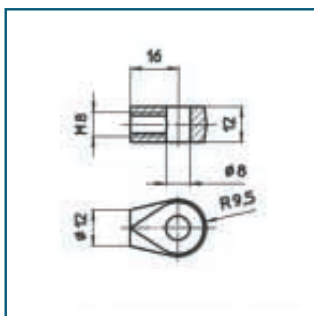


067 00343 Steel

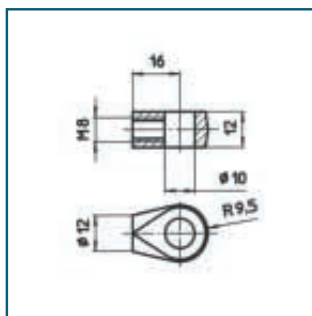


067 00336 Steel

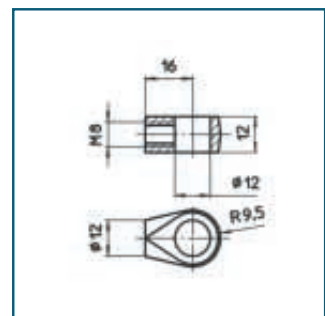
Joint eyes of zinc for applications not subject to heavy loads



065 00155 Zinc

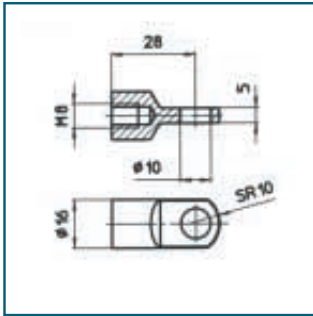


065 00145 Zinc

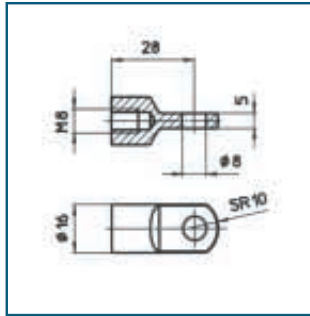


065 00029 Zinc

Joint eyes of steel for very narrow fork seatings

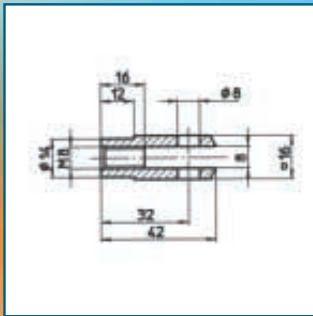


067 50017 Steel

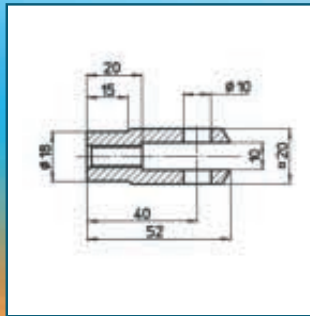


067 00348 Steel

Fork heads of steel for easy mounting and highest demands regarding strength and dimensional accuracy

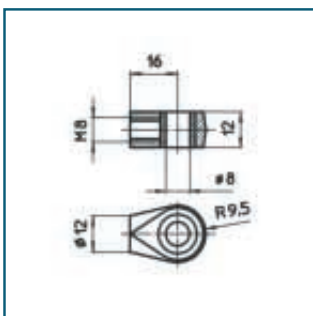


068 00124 Steel

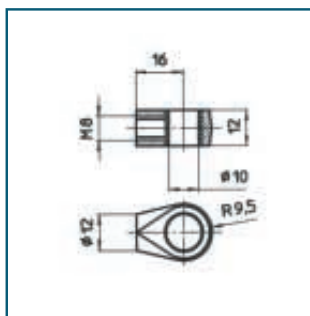


068 00132 Steel

Joint eyes of zinc with a plastic cartridge for precise mounting and extremely quiet operation



165 60002 Zinc



165 60003 Zinc