

# Direct- or Remote-Releases

## Release systems

For releasing gas springs for tilt or height adjustments, SUSPA offers both direct releases (lever-actuated) and remote releases (Bowden wire release system). Either release can be used for both the VARILOCK and the VOB. These systems feature high operational reliability and independence from the application.

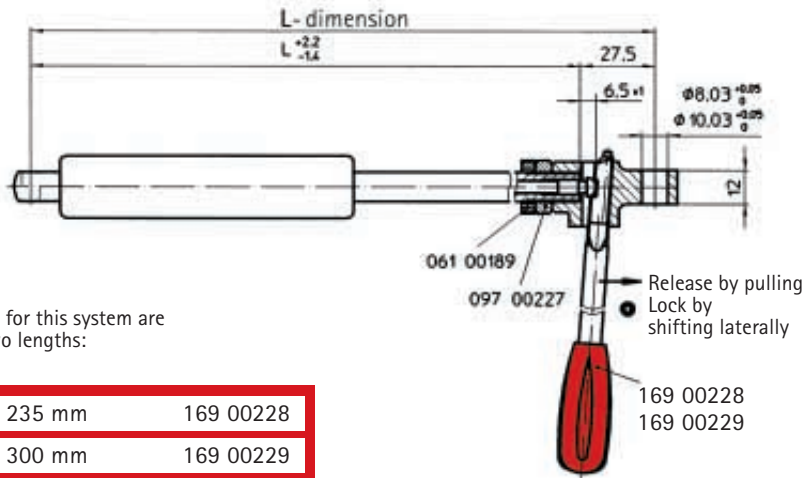
## Lever release

Two criteria must be fulfilled on the gas spring for proper function of the release:

- The release tappet must not be cylindrical (a mushroom shape is the most suitable)
- The gas spring should have a release travel of 3.5 mm (Normal release)

The direct releases are shipped as separate parts.

### Lever

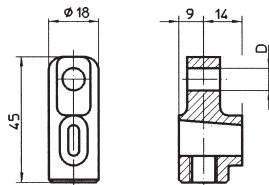


Suitable levers for this system are available in two lengths:

L- dimension	235 mm	169 00228
	300 mm	169 00229

Further lengths available on request.

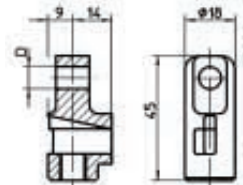
#### Release head not lockable



D = Ø 8.03 mm 021 00075

D = Ø 10.03 mm 021 50102

#### Release head lockable



D = Ø 8.03 mm 021 50103

D = Ø 10.03 mm 021 60004

The release head, which is screwed onto the gas spring, can be delivered either as a non-lockable or a lockable (permanent release) model: